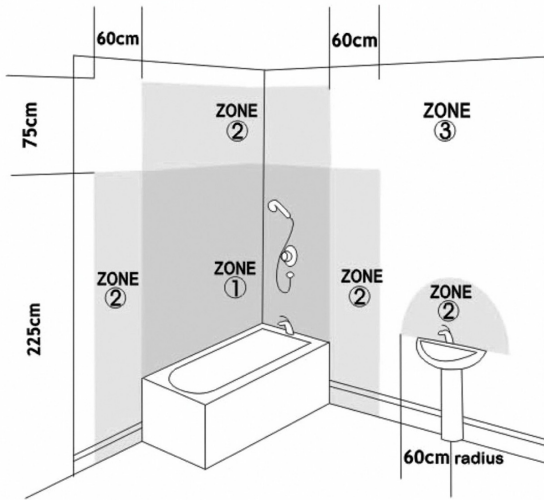


BATHROOM ZONES

1. IP rating stands for 'Ingress Protection' and is always followed by two numbers. These two numbers refer to the level of protection the product has and it is important that you choose fittings with correct ratings according to where they are situated in the bathroom.
2. Your Pebble Grey mirror has been specially protected against the ingress of moisture and is manufactured to meet IP44 standards, thereby making it suitable for use in Zones 2 and 3 of your bathroom.
3. With reference to the diagram below, Zone 2 is an area stretching 0.6m outside the perimeter of the bath and to a height of 2.25m from the floor.



0845 6044 249
www.pebblegrey.co.uk

© Pebble Grey 2010

pebble grey

love your bathroom

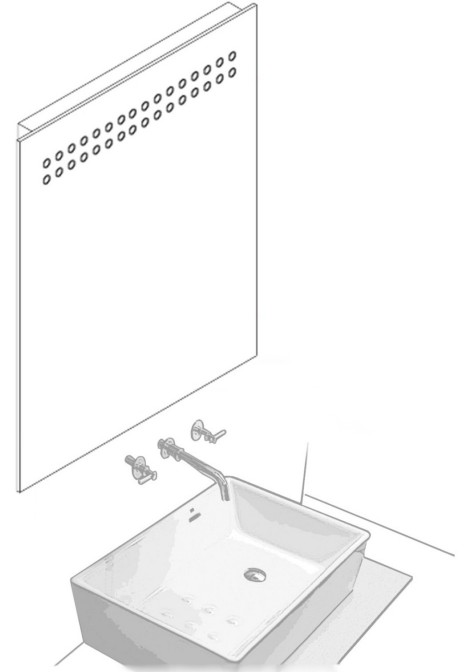


Slimline Apex

100.30.16

Thank you for your purchase of a Slimline Apex mirror from Pebble Grey. Please read these instructions carefully before installation to ensure safe use of this product.

Please note, we advise customers to consult a qualified electrician to assist in the installation of your mirror. Please retain these instructions for future reference.



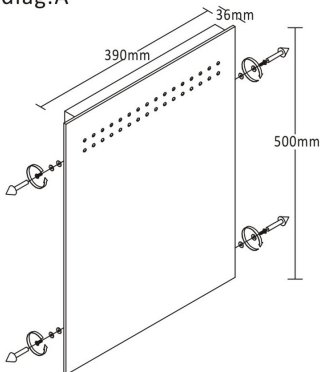
WARNING

It is highly recommended that your illuminated mirror must be installed by a qualified electrician in accordance with current IIE Wiring Regulations and UK Building Regulations.

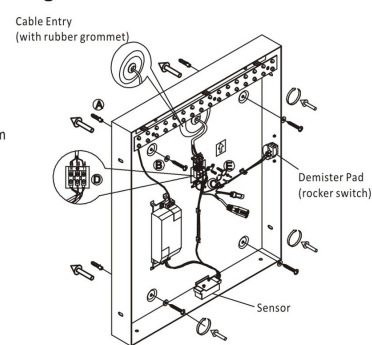
Please ensure that your mains electricity supply is isolated before commencing installation.

All features operate independently:
- Activate lights by swiping the sensor
- Activate demister via the rocker switch

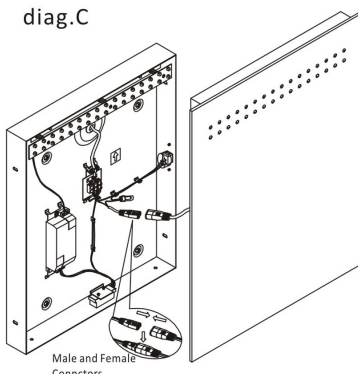
diag.A



diag.B



diag.C

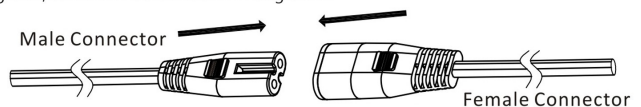


Mirror Specifications:

- Height: 500mm
- Width: 390mm
- Depth: 36mm
- x32 LEDs 0.07 watt
- Daylight LEDs
- Zone 2

INSTALLATION PROCESS

1. Decide on the required position for your new mirror, beware of water pipes, joists and electrical cables.
2. Lay the mirror on a flat surface with the front glass panel facing upwards.
3. Remove the four screws, along with the metal and white spacer from the back box using a Philips screwdriver, as shown in diagram A.
4. Carefully lift the front glass panel off and position it onto a flat soft surface to avoid scratching the mirror.
5. Pierce the small protective IP rated rubber grommet (*this is to isolate and trap any steam produced to ensure maximum safety use*).
7. Insert a 3-core cable through the pierced hole in the protective cover, then thread the cable through from behind the back box into the power supply, as shown in diagram B.
8. Mark the position of the fixing holes in the back plate on the wall, avoiding any wiring or water pipes.
9. Drill and prepare the holes for the screws, ensuring that the fixings are into a solid material, not plasterboard.
10. Mount the metal back box of the mirror onto the wall and secure tightly.
11. Using a flat bed screwdriver, securely connect to the main supply using the terminal block supplied as follows:
Incoming Neutral (blue/black) to Neutral Blue wire (N)
Incoming Live (brown/red) to Live Brown wire (L)
12. To activate the demister pad, simply attach the labelled male and female connectors together, as shown below and also in diagram C.



13. Attach the front glass panel safely onto the metal back box mounted on the wall; secure tightly using the four screws, including the metal and white spacer.

14. Finally, switch on the mains electrical supply and activate your new LED mirror by swiping your hand across the sensor.

Thank you for your purchase, we hope you enjoy your new mirror.