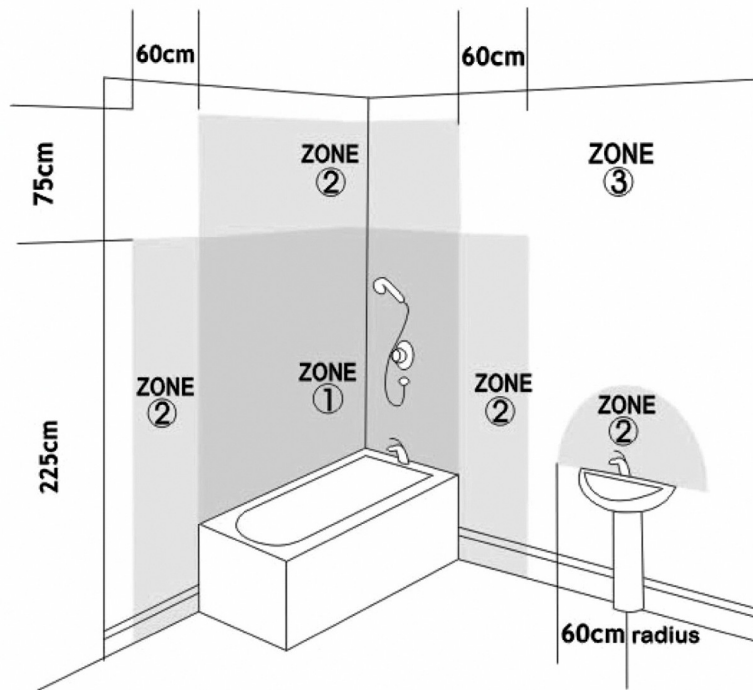


BATHROOM ZONES

1. IP rating stands for 'Ingress Protection' and is always followed by two numbers. These two numbers refer to the level of protection the product has and it is important that you choose fittings with the correct ratings according to where they are situated in the bathroom.
2. Your Pebble Grey mirror has been manufactured to protect against ingress of moisture, ensuring that the product meets IP44 standards and is safe for installation in zones 2 and 3 of your bathroom.
3. With reference to the diagram below, Zone 2 is an area stretching 0.6m outside the perimeter of the bath and to a height of 2.25m from the floor.



0845 6044 249
www.pebblegrey.co.uk

© Pebble Grey 2010

pebble grey

love your bathroom

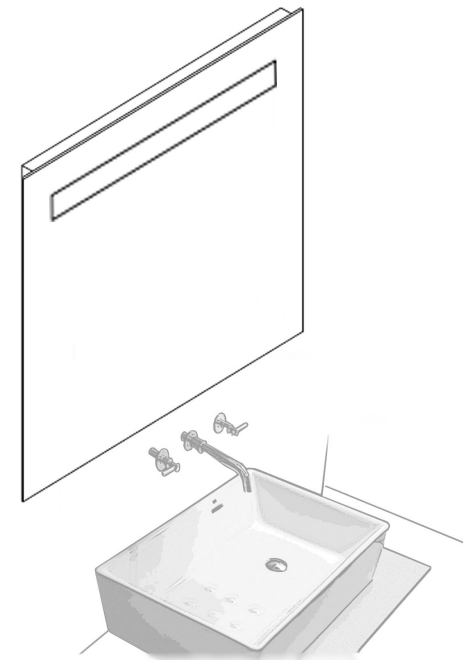


Linear

100.80.03

Thank you for your purchase of the Linear mirror from Pebble Grey.
Please read these instructions carefully before installation to ensure safe use of this product.

Please note, we advise customers to consult a qualified electrician to assist in the installation of your mirror. Please retain these instructions for future reference.

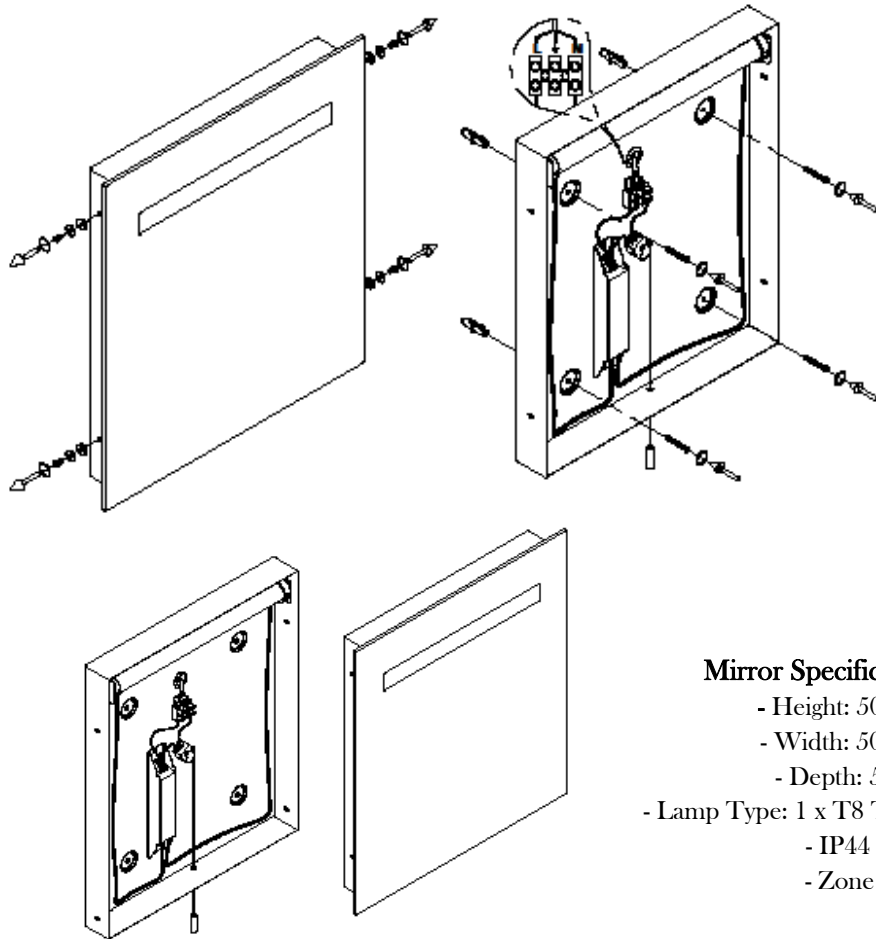


www.pebblegrey.co.uk

WARNING

It is highly recommended that your illuminated mirror must be installed by a qualified electrician in accordance with current IIE Wiring Regulations and UK Building Regulations.

Please ensure that your mains electricity supply is isolated before commencing installation.



Mirror Specification

- Height: 500mm
- Width: 500mm
- Depth: 50mm
- Lamp Type: 1 x T8 Tubes
- IP44 Rated
- Zone 2 & 3

INSTALLATION PROCESS

1. When deciding where to fit your mirror please be aware of water pipes, joists and electrical cables. For safety reasons make sure the mains electricity is switched off before any wiring begins.
2. Lay your new mirror on a flat surface with the glass facing upwards. Remove the 4 screws from the back box of the mirror with a Philips screwdriver. Carefully lift the front glass panel off and position on a flat, soft surface to avoid scratching the glass.
3. Pierce the small protective IP Rated rubber grommet. The grommet ensures the mirror is IP Rated while isolation any steam produced to ensure maximum safety in your bathroom.
4. Insert a 3-core cable through the hole pierce in the rubber grommet.
5. Position your mirror in the desired location and mark the position of the fixing holes in the back place on the wall, avoiding any wiring or water pipes.
6. Drill and prepare the holes for the screws, ensuring that the fixings are into a solid material, not plasterboard.
7. Mount the metal back box of the mirror onto the wall and secure tightly.
8. Using a flatbed screwdriver, securely connect the mains cables to the terminal block as follows: Incoming Neutral (Blue/Black) to Neutral Blue Wire (N) Incoming Live (Brown/Red) to Live Brown Wire (L).
9. Mount the front mirror glass panel securely to the metal back box using the screws and spacers provided.
10. Finally switch on the mains electricity supply and activate your new bathroom mirror by pulling downwards on the chrome pull cord.

Thank you for your purchase from Pebble Grey.

We hope that you are happy with your bathroom mirror and that it creates the finishing touch to your bathroom retreat.

